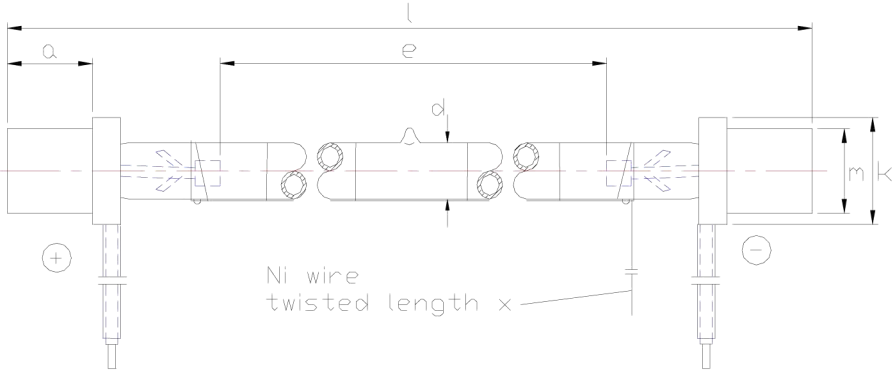


**Part No. TJS-7133-0**  
**XOP – 3000 watt**



**Dimension(mm)**

<b>e</b>	615+/-3	<b>l</b>	695+/-3	<b>d</b>	10+/-0.5 dia
<b>r</b>		<b>g</b>		<b>x</b>	120+/-5
<b>a</b>	14.5+/-0.5 (2x)	<b>k</b>	16+/-0.5 dia (2x)	<b>m</b>	15+/-0.5 dia (2x)

**Polarity :**

**Without Colour Corrective Coating :**

- Remarks:**1) Envelope material : Q2  
 2) NiCr wire - do not touch with bare hand  
 3) Bau. 96500544

**Operating Data :**

<b>Max. Power Pmax/W</b>	3000	<b>Trigger coil TR</b>	ZS 1031 (H)
<b>Nom. Power Pnom / W</b>		<b>Trigger capacitor Cz/μF</b>	0.47
<b>Max. flashenergy Emax/Ws</b>		<b>Min. trigger voltage Uz min/V</b>	300
<b>Nom. flashenergy Enom/Ws</b>		<b>Trigger contact S</b>	SCR
<b>Max. anode voltage Uamax/V</b>	1000	<b>Flash frequency/Hz</b>	2 -14
<b>Nom. anode voltage Uanom/V</b>		<b>Life/Number of flashes/N</b>	500 hrs
<b>Min. anode voltage Uamin/V</b>	600	<b>Repetition rate trep/ s</b>	
<b>Nom.flash capacitor CB/ μF</b>		<b>Sec trigger voltage Uz sec / KV</b>	-16
<b>Light reduction after life/ %</b>	*	<b>Unloaded</b>	

**Remarks :** \* LOP-drop <= 20% after 250 hrs.

Product Description: Linear XOP lamps with various operating power (watt) Spectrum range approx. 200 – 1000 nanometers, color temperature 5600k degrees. They require an electronic trigger starting pulse of approx. 10KV ( ref ZS1324-24 trigger coil) XOP lamps need forced air cooling and do not emit any ozone. Used in Lighting and Stage Special effects applications