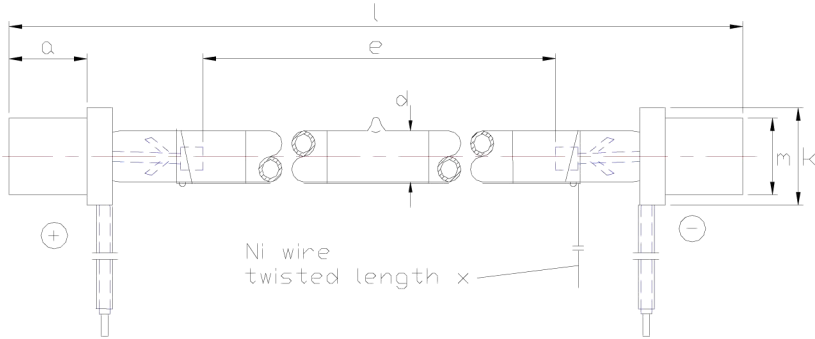


Part No. TJS-7062-0
XOP-25 OF 2500 watt



Dimension(mm)

e	457+/-3	l	537+/-3	d	10+/-1 dia
r		g		x	120+/-5
a	14.5+/-0.5 (2x)	k	16+/-0.5 dia (2x)	m	15+/-0.5 dia (2x)

Polarity :

Without Colour Corrective Coating :

- Remarks:** 1) Envelope material : Q2
 2) NiCr wire - do not touch with bare hand
 3) RoHS compliant

Operating Data :

Max. Power Pmax/W	2500	Trigger coil TR	ZS 1052 (H)
Nom. Power Pnom / W		Trigger capacitor Cz/μF	0.22
Max. flashenergy Emax/Ws		Min. trigger voltage Uz min/V	180
Nom. flashenergy Enom/Ws		Trigger contact S	SCR
Max. anode voltage Uamax/V	1000	Flash frequency/Hz	2 - 14
Nom. anode voltage Uanom/V		Life/Number of flashes/N	500 hrs
Min. anode voltage Uamin/V	600	Repetition rate trep/ s	
Nom.flash capacitor CB/ μF		Sec trigger voltage Uz sec / KV	-7.2
Light reduction after life/ %	*	Unloaded	

Remarks : * LOP-drop <=20% after 250 hrs.

Product Description: Linear XOP lamps with various operating power (watt)
 Spectrum range approx. 200 – 1000 nanometers, color temperature
 5600k degrees. They require an electronic trigger starting pulse of approx.
 10KV (ref ZS1324-24 trigger coil) XOP lamps need forced air cooling and do
 not emit any ozone. Used in Lighting and Stage Special effects applications.