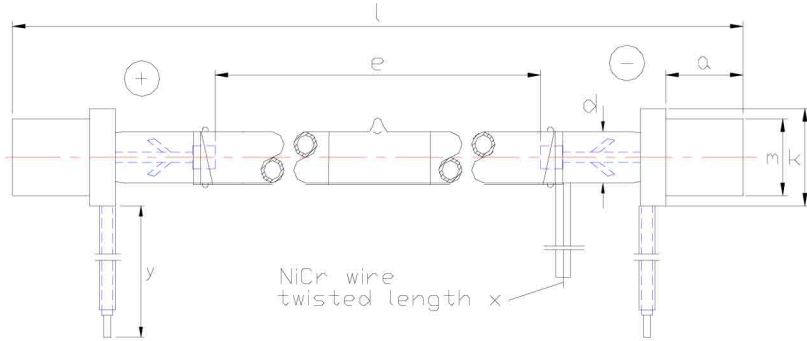


**Part No: TJS- 7039-0**  
**XOP-7 OF 750 watt**



**Dimension (mm)**

<b>e</b>	158 ± 3	<b>l</b>	238 ± 3	<b>d</b>	10 ± 1 dia
<b>r</b>		<b>g</b>	199+/-1	<b>x</b>	170 ± 5
<b>a</b>	14 ± 0.5 (2x)	<b>m</b>	15 ± 0.5 dia (2x)	<b>k</b>	16 ± 0.5 dia (2x)
				<b>y</b>	155 ± 5 (2x)

**Polarity :**

**Without Colour Corrective Coating :**

- Remarks:**
1. Envelope material : Q2
  2. Equivalent for XOP 7 OF
  3. NiCr wire - Do not touch with bare hands
  4. RoHS compliant

**Operating Data :**

<b>Max. Power Pmax /W</b>	750	<b>Trigger coil TR</b>	ZS 1052
<b>Nom. Power Pnom / W</b>		<b>Trigger capacitor Cz /μF</b>	0.22
<b>Max. flashenergy Emax /Ws</b>		<b>Min. trigger voltage Uz min /V</b>	250
<b>Nom. flashenergy Enom /Ws</b>		<b>Trigger contact S</b>	SCR
<b>Max. anode voltage Uamax /V</b>	700	<b>Flash frequency /Hz</b>	2 - 14
<b>Nom. anode voltage Uanom /V</b>	460	<b>Life/Number of flashes /N</b>	500 hrs
<b>Min. anode voltage Uamin /V</b>	360	<b>Repetition rate trep / s</b>	
<b>Nom.flash capacitor CB / μF</b>		<b>Sec trigger voltage Uz sec / KV</b>	- 10.0
<b>Light reduction after life / %</b>	* <= 20	<b>(Unloaded)</b>	

**Remarks :** \* Light reduction <= 20% after 250 hrs

Product Description: Linear XOP lamps with various operating power (watt) Spectrum range approx. 200 – 1000 nanometers, color temperature 5600k degrees. They require an electronic trigger starting pulse of approx. 10KV ( ref ZS1324-24 trigger coil) XOP lamps need forced air cooling and do not emit any ozone. Used in Lighting and Stage Special effects applications.